

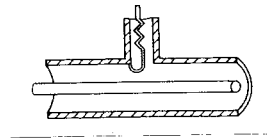
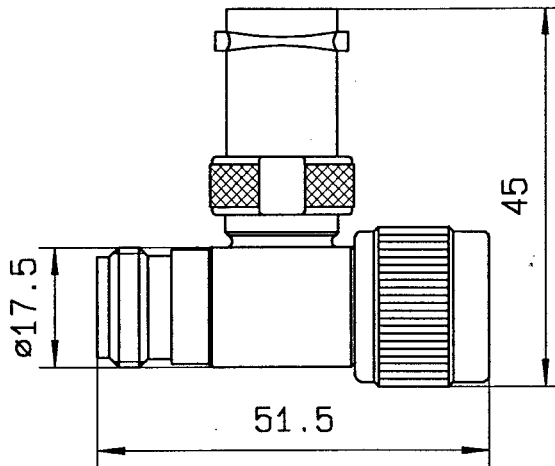


RESISTIVE LOOP PROBE SIGNAL SAMPLER

issue
30.May.96

Page
1 / 1

DRAWING



General tolerances: +/- 0.5 mm

R F CHARACTERISTICS

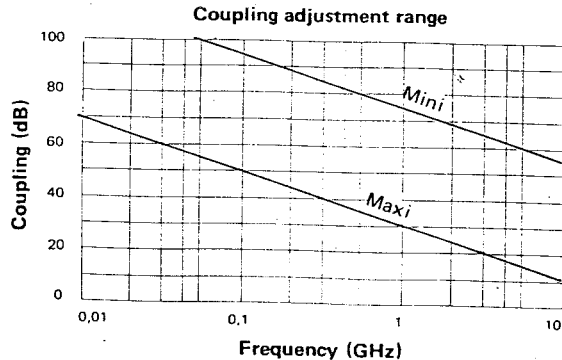
- FREQUENCY RANGE : DC - 12 GHz
- IMPEDANCE : 50 Ohms
- INSERTION LOSS * : <= 0.2 dB
- V.S.W.R. MAIN LINE DC - 8 GHz * : <= 1.20
- 8 - 12 GHz : <= 1.50
- COUPLING VARIATION : 6 dB / OCTAVE
- PEAK POWER at 25°C (1µs,1%+) : 5 kW
- AVERAGE POWER at 25°C : 500 W

MECHANICAL CHARACTERISTICS

- CONNECTORS MAIN LINE : N male/female per MIL-C 39012
- CONNECTOR COUPLED LINE : BNC female per MIL-C 39012
- WEIGHT : < 100 g

ENVIRONMENTAL CHARACTERISTICS

- OPERATING TEMPERATURE RANGE (°C) : -55 , +125
- STORAGE TEMPERATURE RANGE (°C) : -55 , +125



* : V.S.W.R. AND INSERTION LOSS ARE SPECIFIED FOR LOOSE COUPLING (20 dB MIN)

CREATION				
N° :				
PEN/EP:CAT				
Name:MG				
Date:30.May.96				
APP.:VE				
ISSUE	REVISIONS	NAME	APPR.	

RADIALL®

101. rue P. Hoffmann -Z.I Ouest-
93116 ROSNY/BOIS Cedex-FRANCE
Phone: 33(1)49353535
Fax : 33(1)48546363
Tvx RADIA 235220F

This information is given as an indication. In the continual goal to improve our products, we reserve the right to make any modifications judged necessary

4112-9212